



V7-2B17D8-207



Actual product appearance may vary.

V7 Series Miniature Basic Switch, Single Pole Double Throw Circuitry, 11 A at 277 Vac, Roller Lever Actuator, 0,44 N [21.6 oz] Maximum Operating Force, Silver Contacts, Quick Connect Termination

V7 Series Features

- World-wide package size acceptance
- Current rating ranges from 0.1 A to 25 A
- Wiping contact action
- Temperature range to 177 °C [350 ° F]
- Long mechanical life
- Elongated mounting holes for easier, more accurate mounting
- UL/CSA recognized, ENEC (European) approval available
- Choice of actuation, termination and operating characteristics

Potential Applications

- Appliances
- Vending machines
- Timing devices
- Office equipment
- Computer/business equipment
- Test instruments
- Medical/dental equipment
- Communications equipment
- HVAC equipment
- Manually operated devices
- Valves
- Gaming equipment
- Pressure switches

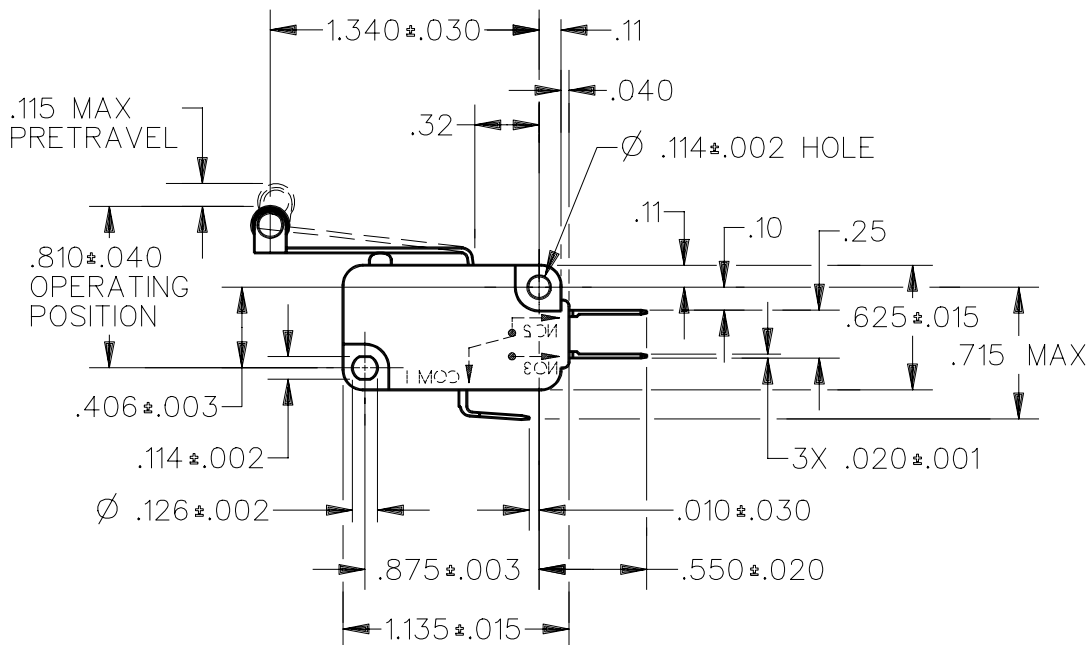
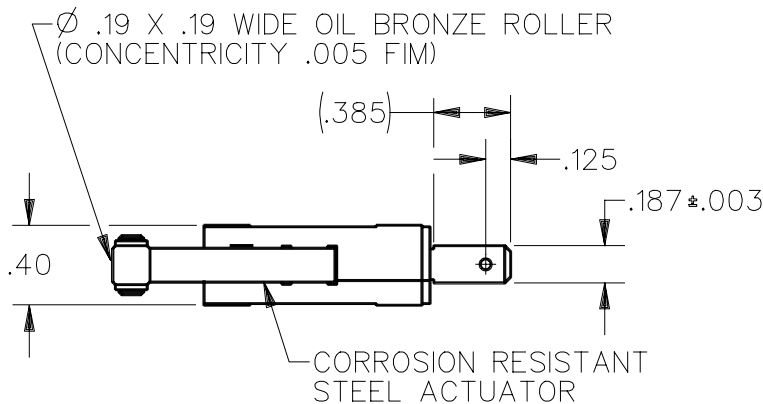
Description

MICRO SWITCH™ V5 and V7 Series basic switches are used for simple or precision on/off, end of limit, presence/absence, pressure, temperature and manual operator interface application needs.

Product Specifications	
Switch Type	MICRO SWITCH™ Miniature 15,9 mm H x 10,2 mm W x 28,8 mm L [0.63 in H x 0.4 in W x 1.14 in L]
Sealed	No
Ampere Rating	11 A
Circuitry	Single Pole Double Throw (SPDT)
Actuator	Roller Lever
Termination	Quick Connect
Operating Temperature Range	-40 °C to 82 °C [-40 °F to 180 °F]
Voltage	277 Vac
Approvals	CSA,UL,ENEC
Actuator Length	34,0 mm [1.34 in]
Contact Type	Silver

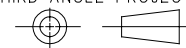
Operating Force (O.F.)	0,44 N [21.6 oz] max.
Release Force (R.F.)	0,03 N [0.10 oz] min.
Pretravel (P.T.)	2.92 mm [0.115 in] min.
Overtravel (O.T.)	1,7 mm [0.065 in] min.
Differential Travel (D.T.)	0,64 mm [0.025] max.
Operating Position (O.P.)	20,6 ± 1,02 mm [0.810 ± 0.040 in]
Housing Material	PCT PolyesterThermoplastic
High Temperature	85 °C [185 °F]
CE mark	61058-1
UL File #	E12252
CSA File #	LR41370
Agency Approvals and Standards	1054
Mounting Centers	22,2 mm [0.88 in]
Maximum Tightening Torque	0,56 N m [5.0 in lb]
Weight	8 g [0.3 oz]
Package Height	16 mm [0.63 in]
Package Width	10,2 mm [0.40 in]
Package Length	27,7 mm [1.09 in]
Availability	Global
UNSPSC Code	30211905
UNSPSC Commodity	30211905 Snap switches
Series Name	V7

CATALOG LISTING
V7-2B17D8-207
REPLACES
RELEASE NO. PR-19218
CHECK
CHECK
CHECK
12 JUN 91
JAL
11 JUN 91
WJC
DRAWN
DMM/CAD



THIS DRAWING COVERS A PROPRIETARY ITEM AND IS THE PROPERTY OF MICRO SWITCH, A DIVISION OF HONEYWELL. THIS DRAWING IS NOT TO BE COPIED OR USED WITHOUT THE APPROVAL OF MICRO SWITCH.

THIRD ANGLE PROJECTION



CHARACTERISTICS

OPERATING FORCE — — — 45 GRAMS MAX
RELEASE FORCE — — — — 3 GRAMS MIN
DIFFERENTIAL TRAVEL — — — .025 MAX
OVERTRAVEL — — — — — .065 MIN
RELEASE TRAVEL — — — — — .016 MIN

ELECTRICAL DATA

CONTACT ARRANGEMENT
S P D T

L156 11A 1/3HP 125, 250 OR 277 VAC
1/2A 125 VDC, 1/4A 250 VDC
4A 125 VAC "L"

SCALE FULL

DO NOT SCALE PRINT

UNLESS OTHERWISE SPECIFIED TOLERANCES ARE

ONE PLACE (.0)	± .030
TWO PLACE (.00)	± .015
THREE PLACE (.000)	± .005
ANGLES	±

WEIGHT

